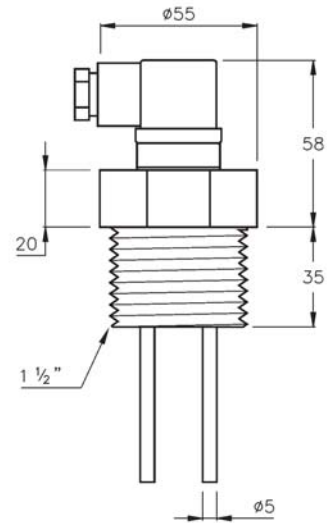
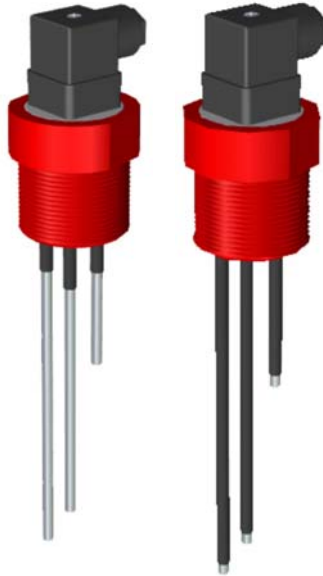


## NR 1"½ / NRI 1"½



### CONDUCTIVE ELECTRODES



Description	Set of electrodes for the control of the level in conductive liquids. Usable in all kind of tanks, opened or closed.																
Body material / colour	PVC / red																
Electrode	SS AISI316 Ø 5 mm. Optional Titanium. The number of electrodes depends on the function of the required level control. Consult the specific characteristics of each level relay.																
Electrode length	Standard, 1000 mm. Others lengths on request. All the electrodes are delivered at the same length. For setting the level detection points, cut each electrode to the required height. Keep in mind that the common electrode must have a length equal or longer than whichever other one.																
Process connection	Top screw 1"½ G																
Electrical connection	Connector DIN43650																
Maximum temperature	+70 °C																
Pressure	5 K/cm <sup>2</sup>																
Electrode insulation	Optionally, the electrodes can be protected with Poliolefine insulation to guarantee the set detection points.																
Protection	IP65																
Usable with	Level relays for conductive liquids: relays families PN, DN and SN																
Warning	<b>DISIBEINT ELECTRONIC SL is not responsible of the electric behavior of these electrodes when using control relays belonging another manufacturers.</b>																
Reference composition	<table border="1" style="width: 100%; border-collapse: collapse;"> <thead> <tr> <th colspan="2"></th> <th>Nr. Electrodes</th> <th></th> </tr> </thead> <tbody> <tr> <td style="text-align: center;">NR</td> <td rowspan="4" style="text-align: center; vertical-align: middle;">1"½</td> <td style="text-align: center;">1E</td> <td rowspan="4" style="font-size: small;">To compose the reference, select one option of each column. Example: NR 1"½ 2E</td> </tr> <tr> <td style="text-align: center;">NRI</td> <td style="text-align: center;">2E</td> </tr> <tr> <td style="text-align: center;">(insulated)</td> <td style="text-align: center;">3E</td> </tr> <tr> <td></td> <td style="text-align: center;">4E</td> </tr> </tbody> </table>					Nr. Electrodes		NR	1"½	1E	To compose the reference, select one option of each column. Example: NR 1"½ 2E	NRI	2E	(insulated)	3E		4E
		Nr. Electrodes															
NR	1"½	1E	To compose the reference, select one option of each column. Example: NR 1"½ 2E														
NRI		2E															
(insulated)		3E															
		4E															
Accessories	<table border="1" style="width: 100%; border-collapse: collapse;"> <thead> <tr style="background-color: #e0f2f1;"> <th style="width: 33%;">NUT</th> <th style="width: 33%;">SEPARATOR</th> <th style="width: 33%;">PS-3</th> </tr> </thead> <tbody> <tr> <td style="text-align: center;"></td> <td style="text-align: center;"></td> <td style="text-align: center;"></td> </tr> <tr> <td style="font-size: small;">Nut for attachment</td> <td style="font-size: small;">Electrodes separator</td> <td style="font-size: small;">Overvoltage protector for the probes line</td> </tr> <tr> <td style="font-size: small;">NR.TUE/P 1"½ - PVC - Red</td> <td style="font-size: small;">NR.SEP/P - PVC - Red</td> <td style="font-size: small;">PS3 - Noryl (housing box) - Light grey</td> </tr> </tbody> </table>			NUT	SEPARATOR	PS-3				Nut for attachment	Electrodes separator	Overvoltage protector for the probes line	NR.TUE/P 1"½ - PVC - Red	NR.SEP/P - PVC - Red	PS3 - Noryl (housing box) - Light grey		
NUT	SEPARATOR	PS-3															
Nut for attachment	Electrodes separator	Overvoltage protector for the probes line															
NR.TUE/P 1"½ - PVC - Red	NR.SEP/P - PVC - Red	PS3 - Noryl (housing box) - Light grey															
Function																	
Reference - Material - Colour																	

Rev. 02 - 20/02/09 - DISIBEINT reserves the right to modify the specifications stated in this document without previous notice